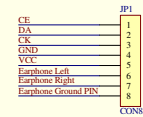
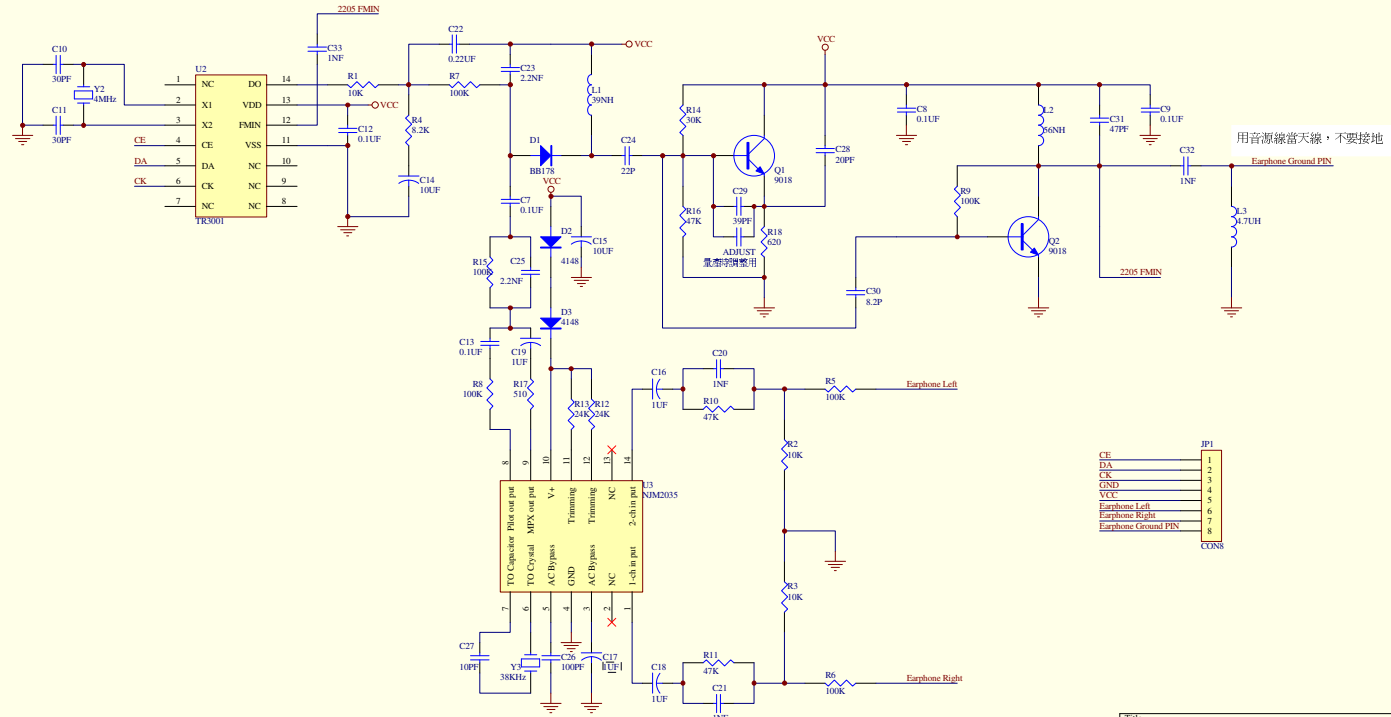


# TX9223-002

## PLL

## VCO

## PA



Title		
Size	Number	Revision
C		
Date:	25-Apr-2005	Sheet of
File:	D:\My Document\AP Notes\SC9223\TX9223-002.D	8